



SYNTON-TECH CORPORATION

POWER WIREWOUND RESISTOR

File No.:	CH-02-L
Version:	A
Page:	1/13
Date:	2018.01.26

1. FEATURE

- HIGH RESISTIVITY TO HEAT, SMALL RESISTANCE TEMP. COEFFICIENT AND THE CHANGE IN RESISTANCE WITH TEMPERATURE BEING LINEAR.
- RESISTANCE VALUE UNCHANGED AFTER LONG USE, GOOD RESISTIVITY TO SHORT TIME OVERLOAD.
- SMALL IN SIZE BUT CAPABLE OF CARRYING HIGH POWER LOAD.
- MULTI-TERMINAL TYPES VARIABLE TYPES AVAILABLE.

2. PERFORMANCE:

- RESISTANCE TEMP. COEFF $\pm 400, 260, 100 \text{ PPM}/^{\circ}\text{C}$
- SHORT TIME OVER LOAD $\pm(2\% \pm 0.05 \Omega)$
- INSULATION RESISTANCE 500V 20M Ω MIN.
- VOLTAGE WITHSTANDING 1000V FOR 1 MIN

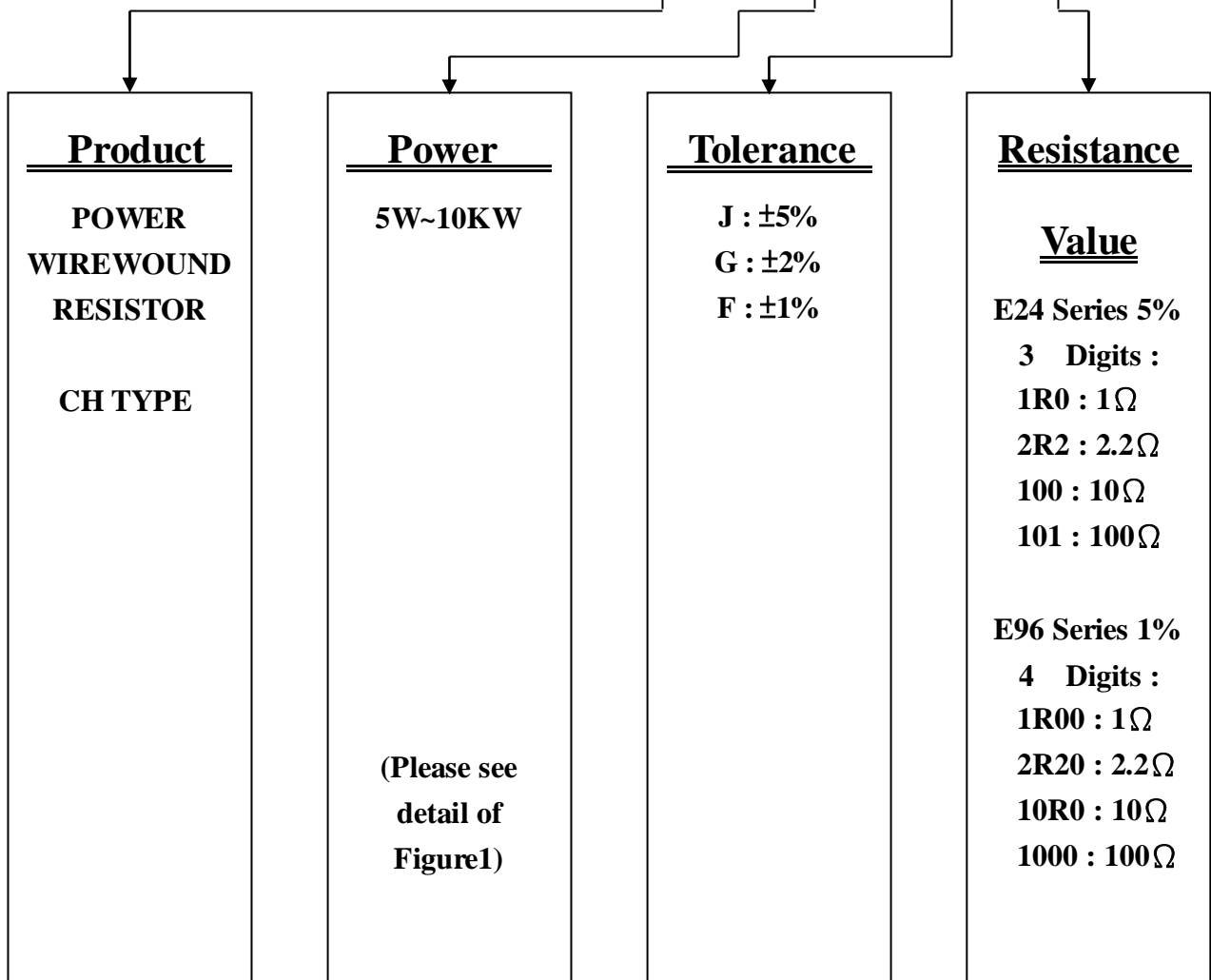
APPROVED	CHECKED	DESIGNED	REMARK	DOCUMENT NO.
Carol	May	Chen		0201010050



3. EXPLANATIONS OF ORDERING CODE

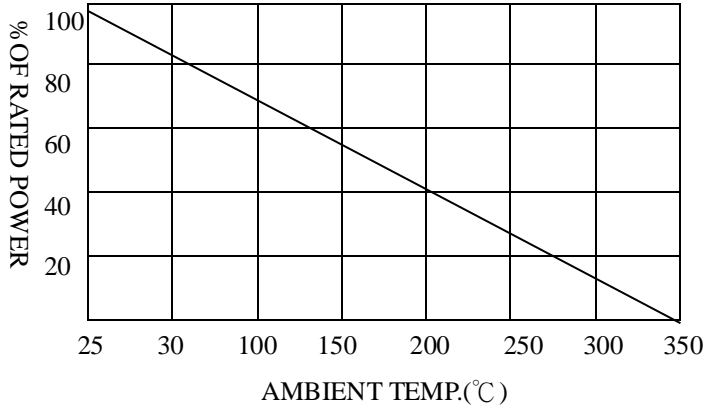
Example : DESCRIPTION : CH 100W 5% 10Ω

SYNTON CODE : CH 100W J 100

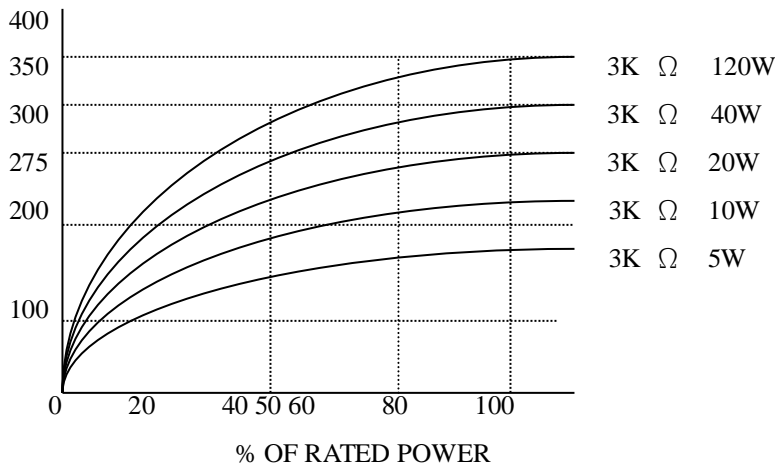




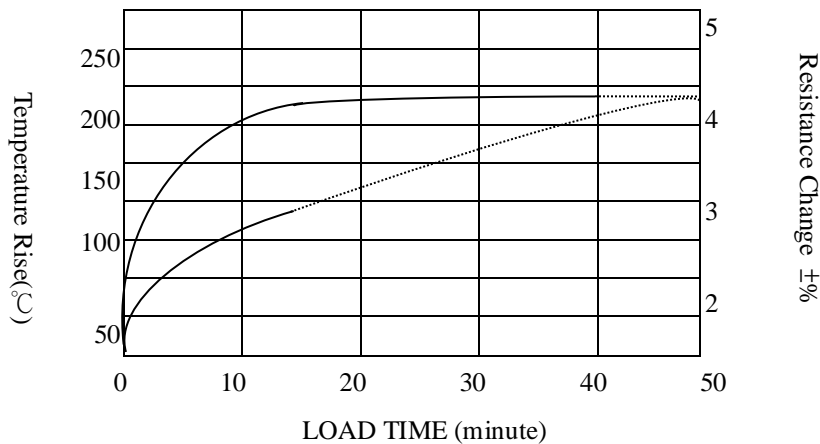
4. DERATING



5. SURFACE TEMP. VS POWER LOAD



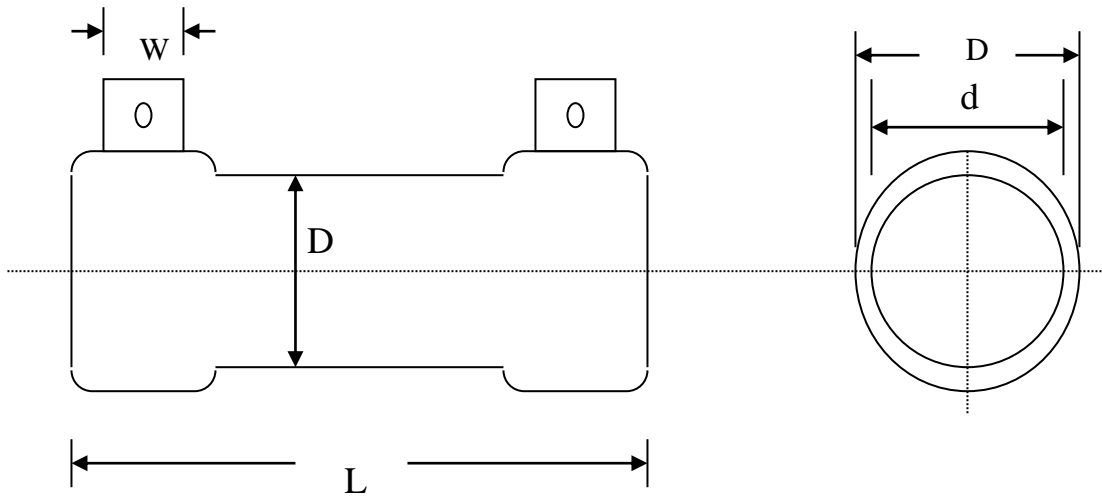
6. TEMP. VS TIME (100% LOAD)



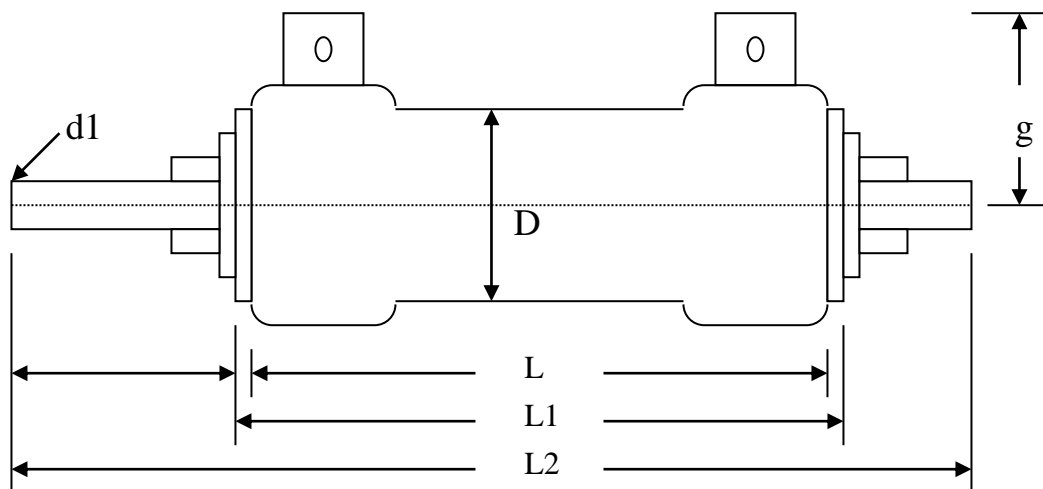


7. RATING & GENERAL SPECIFICATION

CH TYPE

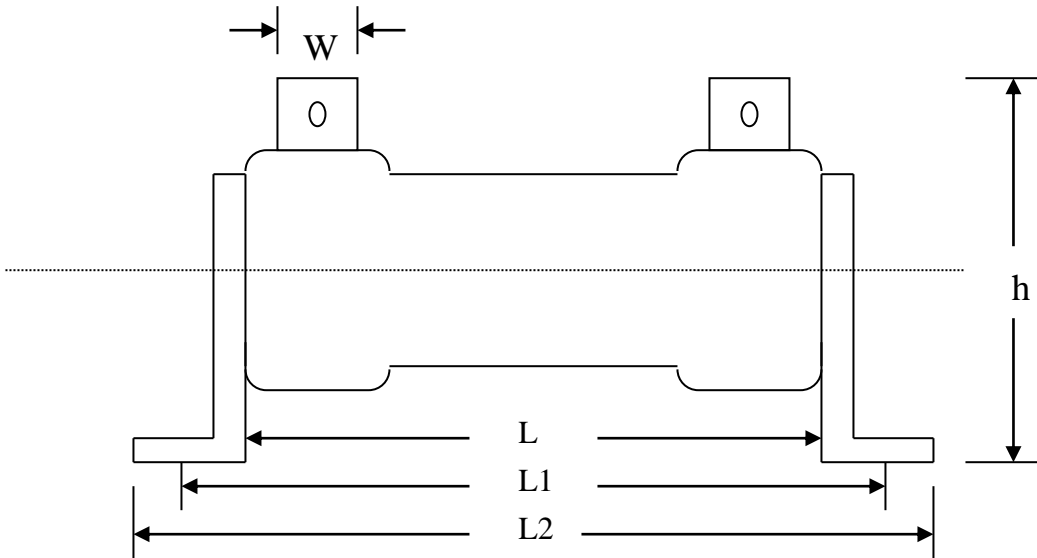


CH-O TYPE



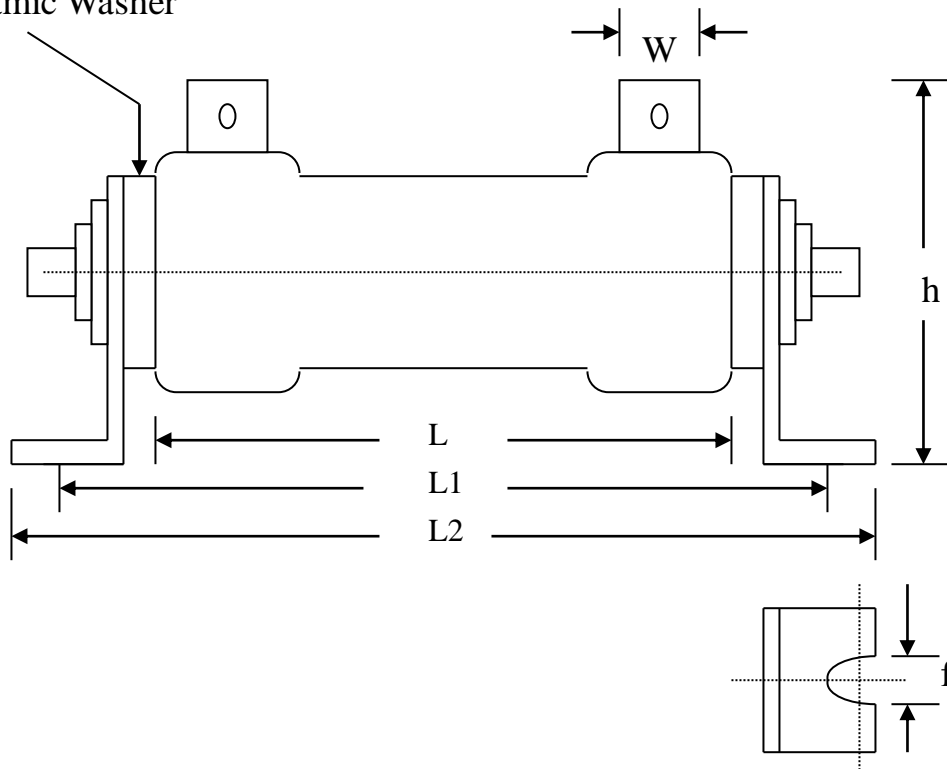


CH-A TYPE



CH-B TYPE

Ceramic Washer





SYNTON-TECH CORPORATION

POWER WIREWOUND RESISTOR

File No.:	CH-02-L
Version:	A
Page:	6/13
Date:	2018.01.26

8. DIMENSION

Silicone coating TYPE	Resistant Range ()Adjustable type	DIMENSION(mm)							O TYPE		A TYPE			B TYPE		
		L	D	d	g	W	d1	f	L1	L2	L1	L2	h	L1	L2	h
CH 5W	0.1Ω ~ 5K(650)	30	12	6	17	5			40	52						
CH 10W	0.1Ω ~ 10K(650)	45	12	6	17	5			55	67						
CH 15W	0.1Ω ~ 15K(650)	45	15	8	19	5			55	67						
CH 20W	0.1Ω ~ 20K(1K)	50	19	10	20	5	4	4.1	60	77	66	80	38	76	86	38
CH 25W	0.1Ω ~ 20K(1K)	60	19	10	20	5	4	4.1	70	87	76	90	38	86	96	38
CH 30W	0.1Ω ~ 30K(1K)	75	19	10	20	5	4	4.1	85	105	91	105	38	101	111	38
CH 40W	0.1Ω ~ 40K(1K)	90	19	10	20	5	4	4.1	100	115	106	120	38	116	126	38
CH 50W CCH75W	0.1Ω ~ 50K(2K)	75	30	16	32	8	5	5.2	89	110	105	120	58	115	131	58
CH 60W CCH90W	0.1Ω ~ 60K(2K)	90	30	16	32	8	5	5.2	104	120	120	135	58	130	146	58
CH 80W CCH120W	0.1Ω ~ 80K(3K)	115	30	16	32	8	5	5.2	129	150	145	160	58	155	171	58
CH 100W CCH150W	0.1Ω ~ 100K(3K)	140	30	16	32	8	5	5.2	154	173	170	185	58	180	196	58
CH 120W CCH180W	0.1Ω ~ 120K(4K)	163	30	16	32	8	5	5.2	179	200	193	208	58	203	221	58
CH 150W CCH225W	0.1Ω ~ 150K(4K)	195	30	16	32	8	5	5.2	209	230	225	240	58	235	251	58
CH 200W CCH300W	0.1Ω ~ 200K(8K)	254	30	16	32	8	5	5.2	268	288	284	299	58	294	310	58
CH 250W CCH375W	0.1Ω ~ 250K(8K)	303	30	16	32	8	5	5.2	319	340	333	348	58	343	361	58
CH 300W CCH450W	0.1Ω ~ 300K(10K)	254	45	28	47	15		9.15						309	330	90
CH 400W CCH600W	0.1Ω ~ 400K(15K)	330	45	28	47	15		9.15						385	406	90
CH 500W CCH750W	0.1Ω ~ 500K(25K)	303	55	35	52	15		9.15						358	378	95
CH 600W CCH850W	0.1Ω ~ 600K(25K)	330	55	35	52	15		9.15						385	405	95
CH 750W CCH1000W	0.2Ω ~ 750K(30K)	390	55	35	52	15		9.15						445	465	95
CH 1000W CCH1500W	0.2Ω ~ 1M(50K)	500	55	35	52	15		9.15						555	575	95
CH 1500W CCH2250W	0.5Ω ~ 1.5M(50K)	500	69	40	60	15		9.15						584	608	130
CH 2000W CCH3000W	0.5Ω ~ 2M(50K)	650	69	40	60	15		9.15						734	758	130

Figure1



SYNTECH CORPORATION

POWER WIREWOUND RESISTOR

File No.:	CH-02-L
Version:	A
Page:	7/13
Date:	2018.01.26

1. DIMENSION "L" TOLERANCE:

- 5W ~ 50W : ±5mm
- 60W ~ 100W : ±10mm
- 120W~500W : ±20mm
- 500W ~ : ±20mm

2. SPECIFICATIONS PER CUSTOMER'S REQUIREMENTS

3. INDUCTIVE/NON-INDUCTIVE ARE AVAILABLE

4. CCH : SPECIAL TYPE WITH CERAMIC COATING



SYNTECH CORPORATION

POWER WIREWOUND RESISTOR

File No.:	CH-02-L
Version:	A
Page:	8/13
Date:	2018.01.26



測試報告

Test Report

號碼(No.) : CE/2014/75449B 日期(Date) : 2015/01/14 頁數(Page): 1 of 6

欣統股份有限公司 / SYNTECH CORPORATION

台灣省新北市汐止區新台五路一段79號16樓之3 (遠東世界中心)

16F-3, NO. 79, FAR EAST WORLD CENTER SEC. 1, HSI-CHIH DIST., NEW TAIPEI CITY, TAIWAN R. O. C.

(東莞欣統電子有限公司 / DONG GUAN SYNTECH CORPORATION)

(廣東省東莞市大朗鎮水口村水常一路13號)

(NO. 13, SHUICHANG FIRST ROAD, SHUIKOU VILLAGE, DALANG TOWN, DONGGUAN, GUANGDONG, CHINA)



以下測試樣品係由申請廠商所提供及確認 (The following sample(s) was/were submitted and identified by/on behalf of the applicant as):

樣品名稱(Sample Description) : CH, QH, CF TYPE WIREWOUND RESISTOR
 樣品型號(Style/Item No.) : CHS TYPE
 收件日期(Sample Receiving Date) : 2014/07/29
 測試期間(Testing Period) : 2014/07/29 TO 2014/08/05

測試需求(Test Requested) : 依據客戶指定, 進行鎘, 鉛, 汞, 六價鉻, 多溴聯苯, 多溴聯苯醚測試. (As specified by client, to test Cadmium, Lead, Mercury, Cr(VI), PBBs, PBDEs contents in the submitted sample.)

測試方法(Test Method) : 請見下一頁 (Please refer to next pages).

測試結果(Test Results) : 請見下一頁 (Please refer to next pages).


 Troy Chang, Manager - Tech
 Signed for and on behalf of
 SGS TAIWAN LTD.
 Chemical Laboratory - Taipei

This document is issued by the Company subject to its General Conditions of Service printed overleaf, available on request or accessible at <http://www.sgs.com/en/Terms-and-Conditions.aspx> and, for electronic format documents, subject to Terms and Conditions for Electronic Documents at <http://www.sgs.com/en/Terms-and-Conditions/Terms-e-Documents.aspx>. Attention is drawn to the limitation of liability, indemnification and jurisdiction issues defined therein. Any holder of this document is advised that information contained hereon reflects the Company's findings at the time of its intervention only and within the limits of Client's instructions, if any. The Company's sole responsibility is to its Client and this document does not exonerate parties to a transaction from exercising all their rights and obligations under the transaction documents. This document cannot be reproduced except in full, without prior written approval of the Company. Any unauthorized alteration, forgery or falsification of the content or appearance of this document is unlawful and offenders may be prosecuted to the fullest extent of the law. Unless otherwise stated the results shown in this test report refer only to the sample(s) tested.

SGS Taiwan Ltd.
 台灣檢驗科技股份有限公司

33, Wu Chuan Rd., New Taipei Industrial Park, New Taipei City, Taiwan / 新北市新北產業園區五權路33號
 ☎ (886-2) 2299-3939

☎ (886-2) 2299-3237

www.sgs.tw
 Member of SGS Group

TWB5252389

1001



SYNTECH CORPORATION

POWER WIREWOUND RESISTOR

File No.:	CH-02-L
Version:	A
Page:	9/13
Date:	2018.01.26



測試報告

號碼(No.) : CE/2014/75449B 日期(Date) : 2015/01/14 頁數(Page): 2 of 6

Test Report

欣統股份有限公司 / SYNTECH CORPORATION

台灣省新北市汐止區新台五路一段79號16樓之3 (遠東世界中心)

16F-3, NO. 79, FAR EAST WORLD CENTER SEC. 1, HSIEN TAI WU ROAD, HSI-CHIH DIST., NEW TAIPEI CITY, TAIWAN R. O. C.

(東莞欣統電子有限公司 / DONG GUAN SYNTECH CORPORATION)

(廣東省東莞市大朗鎮水口村水常一路13號)

(NO. 13, SHUICHANG FIRST ROAD, SHUIKOU VILLAGE, DALANG TOWN, DONGGUAN, GUANGDONG, CHINA)



測試結果(Test Results)

測試部位(PART NAME)No.1 : 整體混測 (MIXED ALL PARTS)

測試項目 (Test Items)	單位 (Unit)	測試方法 (Method)	方法偵測 極限值 (MDL)	結果
				No.1
鎘 / Cadmium (Cd)	mg/kg	參考 IEC 62321-5: 2013 方法, 以感應耦合電漿原子發射光譜儀檢測。 / With reference to IEC 62321-5: 2013 and performed by ICP-AES.	2	n.d.
鉛 / Lead (Pb)	mg/kg	參考 IEC 62321-5: 2013 方法, 以感應耦合電漿原子發射光譜儀檢測。 / With reference to IEC 62321-5: 2013 and performed by ICP-AES.	2	n.d.
汞 / Mercury (Hg)	mg/kg	參考 IEC 62321-4: 2013 方法, 以感應耦合電漿原子發射光譜儀檢測。 / With reference to IEC 62321-4: 2013 and performed by ICP-AES.	2	n.d.
六價鉻 / Hexavalent Chromium Cr(VI)	mg/kg	參考 IEC 62321: 2008 方法, 以 UV-VIS 檢測。 / With reference to IEC 62321: 2008 and performed by UV-VIS.	2	n.d.
多溴聯苯總和 / Sum of PBBs	mg/kg	參考 IEC 62321: 2008 方法, 以氣相層析/質譜儀檢測。 / With reference to IEC 62321: 2008 and performed by GC/MS.	-	n.d.
一溴聯苯 / Monobromobiphenyl	mg/kg		5	n.d.
二溴聯苯 / Dibromobiphenyl	mg/kg		5	n.d.
三溴聯苯 / Tribromobiphenyl	mg/kg		5	n.d.
四溴聯苯 / Tetrabromobiphenyl	mg/kg		5	n.d.
五溴聯苯 / Pentabromobiphenyl	mg/kg		5	n.d.
六溴聯苯 / Hexabromobiphenyl	mg/kg		5	n.d.
七溴聯苯 / Heptabromobiphenyl	mg/kg		5	n.d.
八溴聯苯 / Octabromobiphenyl	mg/kg		5	n.d.
九溴聯苯 / Nonabromobiphenyl	mg/kg		5	n.d.
十溴聯苯 / Decabromobiphenyl	mg/kg	5	n.d.	

This document is issued by the Company subject to its General Conditions of Service printed overleaf, available on request or accessible at <http://www.sgs.com/en/Terms-and-Conditions.aspx> and, for electronic format documents, subject to Terms and Conditions for Electronic Documents at <http://www.sgs.com/en/Terms-and-Conditions/Terms-e-Documnt.aspx>. Attention is drawn to the limitation of liability, indemnification, and jurisdiction issues defined therein. Any holder of this document is advised that information contained hereon reflects the Company's findings at the time of its intervention only and within the limits of Client's instructions, if any. The Company's sole responsibility is to its Client and this document does not exonerate parties to a transaction from exercising all their rights and obligations under the transaction documents. This document cannot be reproduced except in full, without prior written approval of the Company. Any unauthorized alteration, forgery or falsification of the content or appearance of this document is unlawful and offenders may be prosecuted to the fullest extent of the law. Unless otherwise stated the results shown in this test report refer only to the sample(s) tested.

TWB5252390

SGS Taiwan Ltd. | 33, Wu Chuan Rd., New Taipei Industrial Park, New Taipei City, Taiwan / 新北市新北產業園區五權路33號
 台灣檢驗科技股份有限公司 | (886-2) 2299-3939 | (886-2) 2299-3237 | www.sgs.tw

Member of SGS Group

1001



SYNTECH CORPORATION

POWER WIREWOUND RESISTOR

File No.:	CH-02-L
Version:	A
Page:	10/13
Date:	2018.01.26



測試報告

號碼(No.) : CE/2014/75449B 日期(Date) : 2015/01/14 頁數(Page): 3 of 6

Test Report

欣統股份有限公司 / SYNTECH CORPORATION

台灣省新北市汐止區新台五路一段79號16樓之3 (遠東世界中心)

16F-3, NO. 79, FAR EAST WORLD CENTER SEC. 1, HSIIN TAI WU ROAD, HSI-CHIH DIST., NEW TAIPEI CITY, TAIWAN R. O. C.

(東莞欣統電子有限公司 / DONG GUAN SYNTECH CORPORATION)

(廣東省東莞市大朗鎮水口村水常一路13號)

(NO. 13, SHUICHANG FIRST ROAD, SHUIKOU VILLAGE, DALANG TOWN, DONGGUAN, GUANGDONG, CHINA)



測試項目 (Test Items)	單位 (Unit)	測試方法 (Method)	方法偵測 極限值 (MDL)	結果 (Result)
				No.1
多溴聯苯醚總和 / Sum of PBDEs	mg/kg	參考 IEC 62321: 2008 方法, 以氣相層析/質譜儀檢測. / With reference to IEC 62321: 2008 and performed by GC/MS.	-	n.d.
一溴聯苯醚 / Monobromodiphenyl ether	mg/kg		5	n.d.
二溴聯苯醚 / Dibromodiphenyl ether	mg/kg		5	n.d.
三溴聯苯醚 / Tribromodiphenyl ether	mg/kg		5	n.d.
四溴聯苯醚 / Tetrabromodiphenyl ether	mg/kg		5	n.d.
五溴聯苯醚 / Pentabromodiphenyl ether	mg/kg		5	n.d.
六溴聯苯醚 / Hexabromodiphenyl ether	mg/kg		5	n.d.
七溴聯苯醚 / Heptabromodiphenyl ether	mg/kg		5	n.d.
八溴聯苯醚 / Octabromodiphenyl ether	mg/kg		5	n.d.
九溴聯苯醚 / Nonabromodiphenyl ether	mg/kg		5	n.d.
十溴聯苯醚 / Decabromodiphenyl ether	mg/kg	5	n.d.	

備註(Note) :

1. mg/kg = ppm ; 0.1wt% = 1000ppm
2. n.d. = Not Detected (未檢出)
3. MDL = Method Detection Limit (方法偵測極限值)
4. "-" = Not Regulated (無規格值)
5. 樣品的測試是基於申請人要求混合測試, 報告中的混合測試結果不代表其中個別單一材質的含量. (The samples was/were analyzed on behalf of the applicant as mixing sample in one testing. The above results was/were only given as the informality value.)

This document is issued by the Company subject to its General Conditions of Service printed overleaf, available on request or accessible at <http://www.sgs.com/en/Terms-and-Conditions.aspx> and, for electronic format documents, subject to Terms and Conditions for Electronic Documents at <http://www.sgs.com/en/Terms-and-Conditions/Terms-e-Documents.aspx>. Attention is drawn to the limitation of liability, indemnification and jurisdiction issues defined therein. Any holder of this document is advised that information contained hereon reflects the Company's findings at the time of its intervention only and within the limits of Client's instructions, if any. The Company's sole responsibility is to its Client and this document does not exonerate parties to a transaction from exercising all their rights and obligations under the transaction documents. This document cannot be reproduced except in full, without prior written approval of the Company. Any unauthorized alteration, forgery or falsification of the content or appearance of this document is unlawful and offenders may be prosecuted to the fullest extent of the law. Unless otherwise stated the results shown in this test report refer only to the sample(s) tested.

SGS Taiwan Ltd.
台灣檢驗科技股份有限公司

33, Wu Chuan Rd., New Taipei Industrial Park, New Taipei City, Taiwan / 新北市新北產業園區五權路33號
☎ (886-2) 2299-3939 ☎ (886-2) 2299-3237 www.sgs.tw

Member of SGS Group

TWB5252391

1001



SYNTECH CORPORATION

POWER WIREWOUND RESISTOR

File No.: CH-02-L
 Version: A
 Page: 11/13
 Date: 2018.01.26



測試報告

號碼(No.): CE/2014/75449B 日期(Date): 2015/01/14 頁數(Page): 4 of 6

Test Report

欣統股份有限公司 / SYNTECH CORPORATION

台灣省新北市汐止區新台五路一段79號16樓之3 (遠東世界中心)

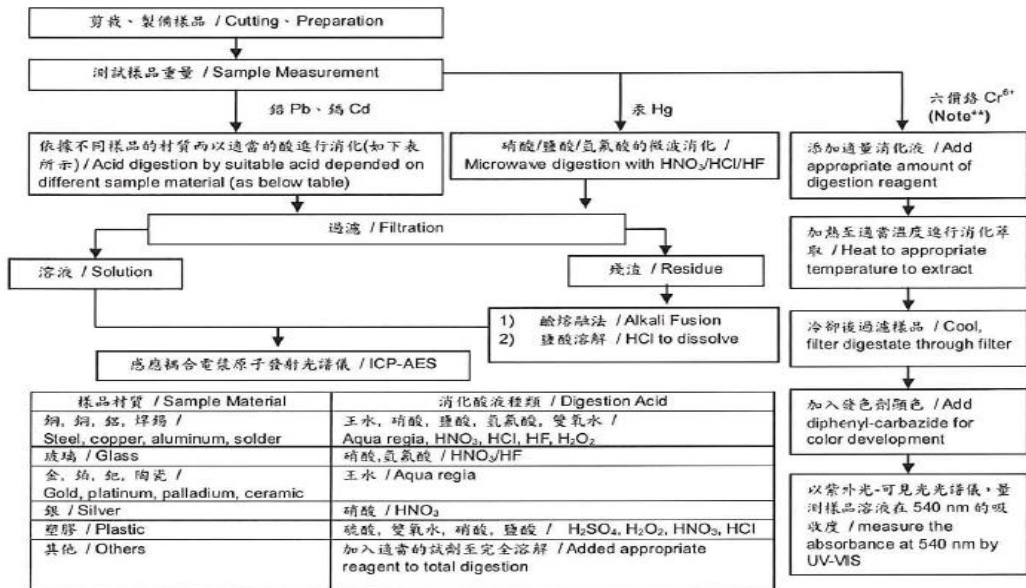
16F-3, NO. 79, FAR EAST WORLD CENTER SEC. 1, HSIN TAI WU ROAD, HSI-CHIH DIST., NEW TAIPEI CITY, TAIWAN R. O. C.

(東莞欣統電子有限公司 / DONG GUAN SYNTECH CORPORATION)

(廣東省東莞市大朗鎮水口村水常一路13號)

(NO. 13, SHUICHANG FIRST ROAD, SHUIKOU VILLAGE, DALANG TOWN, DONGGUAN, GUANGDONG, CHINA)

- 1) 根據以下的流程圖之條件, 樣品已完全溶解 (六價鉻測試方法除外) / These samples were dissolved totally by pre-conditioning method according to below flow chart. (Cr⁶⁺ test method excluded)
- 2) 測試人員: 楊登偉 / Name of the person who made measurement: Climbgreat Yang
- 3) 測試負責人: 張啓興 / Name of the person in charge of measurement: Troy Chang



Note**: (1) 針對非金屬材料加入鹼性消化液, 加熱至 90-95°C 萃取。 / For non-metallic material, add alkaline digestion reagent and heat to 90-95°C.
 (2) 針對金屬材料加入純水, 加熱至沸騰萃取。 / For metallic material, add pure water and heat to boiling.

This document is issued by the Company subject to its General Conditions of Service printed overleaf, available on request or accessible at <http://www.sgs.com/en/Terms-and-Conditions.aspx> and, for electronic format documents, subject to Terms and Conditions for Electronic Documents at <http://www.sgs.com/en/Terms-and-Conditions/Terms-e-Documents.aspx>. Attention is drawn to the limitation of liability, indemnification and jurisdiction issues defined therein. Any holder of this document is advised that information contained hereon reflects the Company's findings at the time of its intervention only and within the limits of Client's instructions, if any. The Company's sole responsibility is to its Client and this document does not exonerate parties to a transaction from exercising all their rights and obligations under the transaction documents. This document cannot be reproduced except in full, without prior written approval of the Company. Any unauthorized alteration, forgery or falsification of the content or appearance of this document is unlawful and offenders may be prosecuted to the fullest extent of the law. Unless otherwise stated the results shown in this test report refer only to the sample(s) tested.

SGS Taiwan Ltd. | 33, Wu Chuan Rd., New Taipei Industrial Park, New Taipei City, Taiwan / 新北市新北產業園區五權路33號
 台灣檢驗科技股份有限公司 | (886-2) 2299-3939 | (886-2) 2299-3237 | www.sgs.tw

Member of SGS Group

TWB 5252392

1001



SYNTECH CORPORATION

POWER WIREWOUND RESISTOR

File No.:	CH-02-L
Version:	A
Page:	12/13
Date:	2018.01.26



測試報告

Test Report

號碼(No.) : CE/2014/75449B 日期(Date) : 2015/01/14 頁數(Page): 5 of 6

欣統股份有限公司 / SYNTECH CORPORATION

台灣省新北市汐止區新台五路一段79號16樓之3 (遠東世界中心)

16F-3, NO. 79, FAR EAST WORLD CENTER SEC. 1, HSIN TAI WU ROAD, HSI-CHIH DIST., NEW TAIPEI CITY, TAIWAN R. O. C.

(東莞欣統電子有限公司 / DONG GUAN SYNTECH CORPORATION)

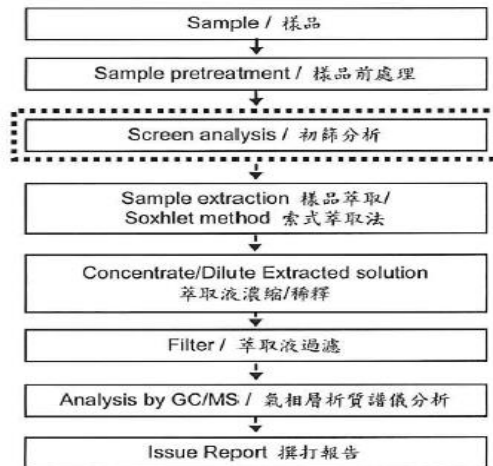
(廣東省東莞市大朗鎮水口村水常一路13號)

(NO. 13, SHUICHANG FIRST ROAD, SHUIKOU VILLAGE, DALANG TOWN, DONGGUAN, GUANGDONG, CHINA)



多溴聯苯/多溴聯苯醚分析流程圖 / PBB/PBDE analytical FLOW CHART

- 測試人員：翁賜彬 / Name of the person who made measurement: Roman Wong
- 測試負責人：張啓興 / Name of the person in charge of measurement: Troy Chang
- 初次測試程序 / First testing process →
- 選擇性篩檢程序 / Optional screen process
- 確認程序 / Confirmation process - - - →



This document is issued by the Company subject to its General Conditions of Service printed overleaf, available on request or accessible at <http://www.sgs.com/en/Terms-and-Conditions.aspx> and, for electronic format documents, subject to Terms and Conditions for Electronic Documents at <http://www.sgs.com/en/Terms-and-Conditions/Terms-e-Documents.aspx>. Attention is drawn to the limitation of liability, indemnification and jurisdiction issues defined therein. Any holder of this document is advised that information contained hereon reflects the Company's findings at the time of its intervention only and within the limits of Client's instructions, if any. The Company's sole responsibility is to its Client and this document does not exonerate parties to a transaction from exercising all their rights and obligations under the transaction documents. This document cannot be reproduced except in full, without prior written approval of the Company. Any unauthorized alteration, forgery or falsification of the content or appearance of this document is unlawful and offenders may be prosecuted to the fullest extent of the law. Unless otherwise stated the results shown in this test report refer only to the sample(s) tested.

SGS Taiwan Ltd.
台灣檢驗科技股份有限公司

33, Wu Chuan Rd., New Taipei Industrial Park, New Taipei City, Taiwan / 新北市新北產業園區五權路33號
t (886-2) 2299-3939 f (886-2) 2299-3237 www.sgs.tw

Member of SGS Group

TWB5252393

1001



SYNTECH CORPORATION

POWER WIREWOUND RESISTOR

File No.:	CH-02-L
Version:	A
Page:	13/13
Date:	2018.01.26



測試報告

Test Report

號碼(No.) : CE/2014/75449B 日期(Date) : 2015/01/14 頁數(Page): 6 of 6

欣統股份有限公司 / SYNTECH CORPORATION

台灣省新北市汐止區新台五路一段79號16樓之3 (遠東世界中心)

16F-3, NO. 79, FAR EAST WORLD CENTER SEC. 1, HSIN TAI WU ROAD, HSI-CHIH DIST., NEW TAIPEI CITY, TAIWAN R. O. C.

(東莞欣統電子有限公司 / DONG GUAN SYNTECH CORPORATION)

(廣東省東莞市大朗鎮水口村水常一路13號)

(NO. 13, SHUICHANG FIRST ROAD, SHUIKOU VILLAGE, DALANG TOWN, DONGGUAN, GUANGDONG, CHINA)



* 照片中如有箭頭標示，則表示為實際檢測之樣品/部位。 *
(The tested sample / part is marked by an arrow if it's shown on the photo.)

CE/2014/75449



** 報告結尾 (End of Report) **

This document is issued by the Company subject to its General Conditions of Service printed overleaf, available on request or accessible at <http://www.sgs.com/en/Terms-and-Conditions.aspx> and, for electronic format documents, subject to Terms and Conditions for Electronic Documents at <http://www.sgs.com/en/Terms-and-Conditions/Terms-e-Documents.aspx>. Attention is drawn to the limitation of liability, indemnification and jurisdiction issues defined therein. Any holder of this document is advised that information contained hereon reflects the Company's findings at the time of its intervention only and within the limits of Client's instructions, if any. The Company's sole responsibility is to its Client and this document does not exonerate parties to a transaction from exercising all their rights and obligations under the transaction documents. This document cannot be reproduced except in full, without prior written approval of the Company. Any unauthorized alteration, forgery or falsification of the content or appearance of this document is unlawful and offenders may be prosecuted to the fullest extent of the law. Unless otherwise stated the results shown in this test report refer only to the sample(s) tested.

SGS Taiwan Ltd.
台灣檢驗科技股份有限公司

33, Wu Chuan Rd., New Taipei Industrial Park, New Taipei City, Taiwan / 新北市新北產業園區五權路33號
t (886-2) 2289-3838 f (886-2) 2289-3237

www.sgs.tw
Member of SGS Group

TWB 5252394

1001